



## **SCT-1069**

**CAMERA CONTROL CODE TRANSLATOR  
PELCO RS-422 to PANASONIC RS-485 Ver 1.6**

[www.sennetech.net](http://www.sennetech.net)

**Sennetech, Inc. 6455 W. Bath Rd. Perry, MI 48872 U.S.A. Ph (517) 675-1150 Fax(517) 675 1151**

## PRODUCT DESCRIPTION

The SCT-1069 is a Pelco to Panasonic control code translator designed to permit control of Panasonic cameras from Pelco controllers. It receives Pelco RS-422 commands and transmits the appropriate commands in Panasonic RS-485 code format. There are four independent Panasonic outputs.

Internal configuration switches allow the translator to accept either Pelco "P" code or "D" code.

Input and output connections are made with mating screw terminal connectors. Front panel LEDs indicate status of power, receive, and transmit.

There is an optional 19" rack mount panel (one rack unit high).

Version 1.1 adds an Auto Iris command and a switch for sending old Panasonic code.

Version 1.3 changes the menu cursor commands to accommodate the CM9760 keyboard.

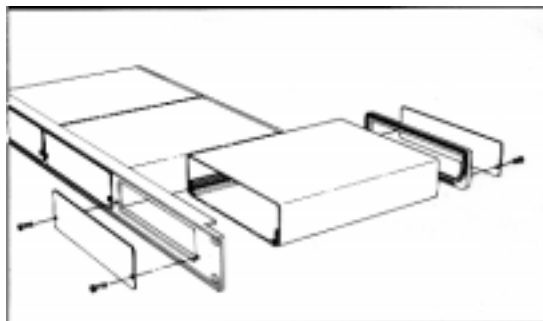
Version 1.5 adds capability of sending Panasonic menu cursor commands using Pelco Goto Preset commands.

Version 1.6 adds new Panasonic oneway protocol to reduce WJ-MP204C lag.

## SPECIFICATIONS

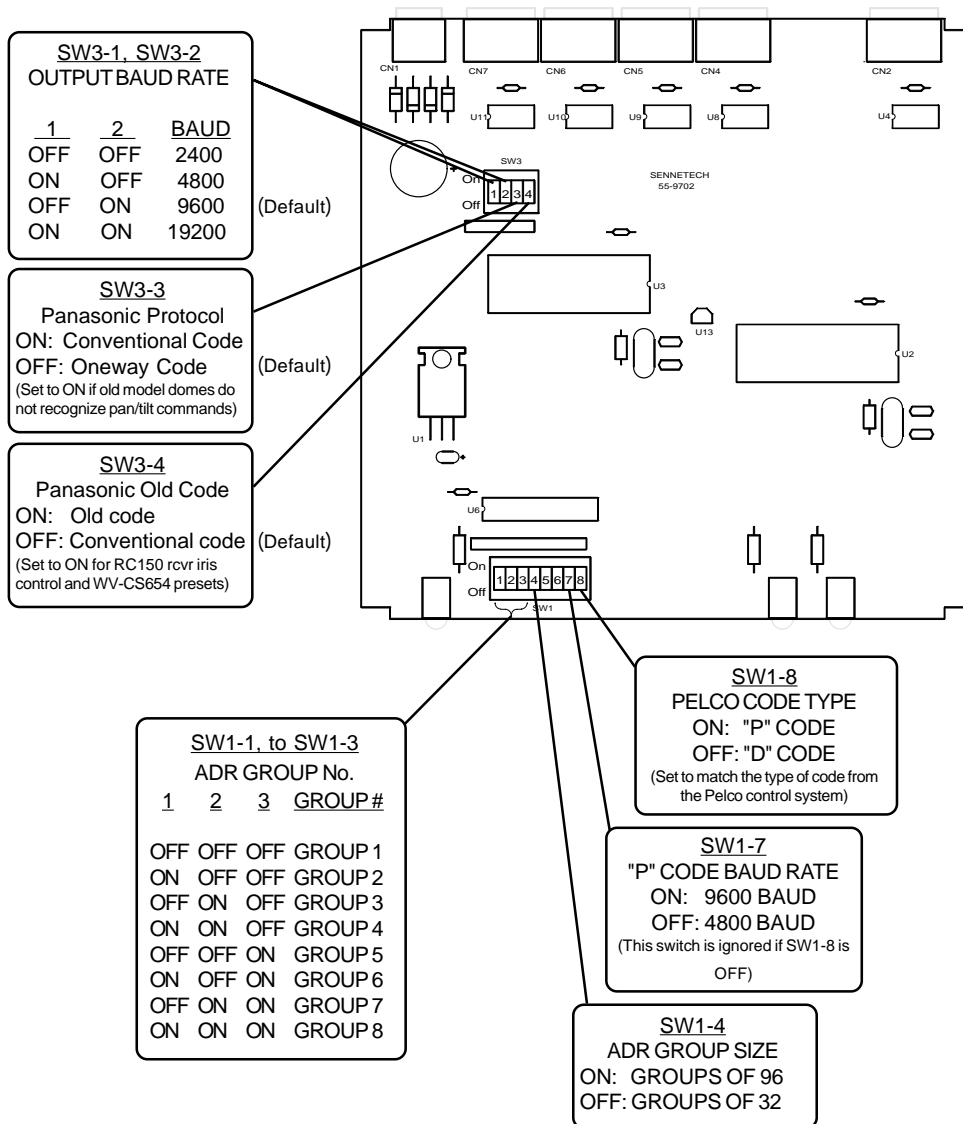
SIZE:	19"W x 1.75H x 5.45D
WEIGHT:	1.5 lbs.
POWER:	9Volt to 18Volt AC or DC at .75 Watts
INDICATORS:	Front panel LEDs: Power, Rx, & Tx
PELCO RS-422 INPUT:	(1) 3-pin mating screw terminal connector
PANASONIC OUTPUTS:	(4) 3-pin mating screw terminal connectors

To install the case on the rack mount frame, remove the front panel and the plastic bezel. The rack mount frame takes the place of the bezel as shown below.



## SETTING THE SWITCHES

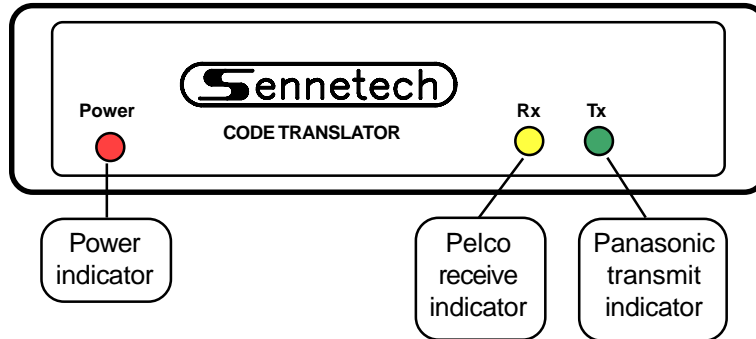
To set the configuration switches, remove the back panel, which is secured by two screws. Then slide the cover back to expose the switches. The switches can be changed while the code translator is powered up and the new settings will take effect immediately.



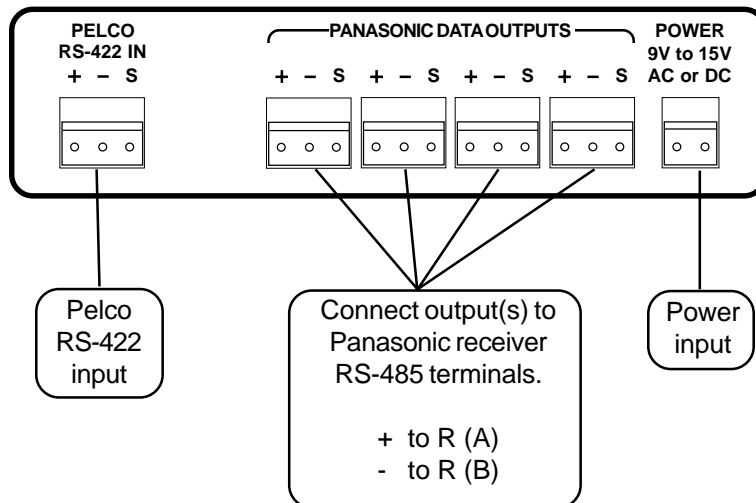
If the code translator is configured to receive "D" code, the baud rate is automatically set to 2400. For "P" code, the available baud rates are 4800 and 9600.

## INSTALLATION

### FRONT PANEL



### REAR PANEL



Note: Panasonic cameras should be configured for four wire operation.

The Rx LED will light when there is any data on the input lines. If the LED is on constantly, the input wires are probably reversed.

If there is Rx but no Tx, possible causes are:

- The incoming Pelco code is not camera control code.
- The code translator's switch settings do not match the controller's code settings.
- The command is addressed to a camera that is not in the configured address group.

If the indicators show normal operation but the camera does not respond, possible causes are:

- The wires are not connected properly.
- The camera is not set to the proper address.
- The output baud rate does not match the camera's settings.

## OPERATION

### PTZ

The code translator converts Pelco Pan, Tilt, Zoom, Focus, and Iris commands to the equivalent Panasonic commands.

### Presets

Pelco presets from 1~64 are converted to Panasonic presets.

Other commands are converted according to the following table.

	<u>Pelco Command</u>	<u>Panasonic Command</u>
<b>Auto Iris</b>	7 On	Auto Iris
<b>Autopan</b>	99 Pset 92 Pgm Pset 93 Pgm Pset	Autopan On Set Autopan Start Position Set Autopan End Position
<b>Patrol</b>	Pattern Start Pattern End Pattern Run	Patrol Learn Patrol Stop Patrol Play
<b>Setup Menu</b>	95 Pgm Pset	Activate Camera Setup Menu

(To navigate the menu, use the [On] functions arranged as a diamond on the KBD 300A keypad. For control systems that do not support those [On] commands, they can also be sent using Pelco Goto Preset 31~38 commands.)

2 On or Preset 32	Cursor Up
4 On or Preset 34	Cursor Left
6 On or Preset 36	Cursor Right
8 On or Preset 38	Cursor Down
1 On or Preset 31	Return to Previous Menu
3 On or Preset 33	Select Highlighted Item
5 On/Off or Preset 35	Exit Menu

### Panasonic Old Code (SW3-4 ON)

If Switch 3-4 is ON, the code translator sends different iris and pre-position commands instead of the conventional commands.

For iris, receiver iris commands instead of camera iris commands are sent for use with RC150 receivers. The operation of the controller does not change.

For pre-positions, older commands are sent for use with WV-CS654 cameras instead of conventional commands. The process of recalling preset commands from the controller does not change, but the process for programming presets does change. To program a preset, the Pelco Program Preset command must be sent twice. After the first time, if there is a preset of the same number already programmed, the camera will move to that position. Then move the camera to the desired position and send the Program Preset command again. The preset will now be stored at the new position.

ADDRESS GROUPS of 32

Group 1		Group 2		Group 3		Group 4		Group 5		Group 6		Group 7		Group 8	
In	Out	In	Out	In	Out	In	Out	In	Out	In	Out	In	Out	In	Out
1	1	33	1	65	1	97	1	129	1	161	1	193	1	225	1
2	2	34	2	66	2	98	2	130	2	162	2	194	2	226	2
3	3	35	3	67	3	99	3	131	3	163	3	195	3	227	3
4	4	36	4	68	4	100	4	132	4	164	4	196	4	228	4
5	5	37	5	69	5	101	5	133	5	165	5	197	5	229	5
6	6	38	6	70	6	102	6	134	6	166	6	198	6	230	6
7	7	39	7	71	7	103	7	135	7	167	7	199	7	231	7
8	8	40	8	72	8	104	8	136	8	168	8	200	8	232	8
9	9	41	9	73	9	105	9	137	9	169	9	201	9	233	9
10	10	42	10	74	10	106	10	138	10	170	10	202	10	234	10
11	11	43	11	75	11	107	11	139	11	171	11	203	11	235	11
12	12	44	12	76	12	108	12	140	12	172	12	204	12	236	12
13	13	45	13	77	13	109	13	141	13	173	13	205	13	237	13
14	14	46	14	78	14	110	14	142	14	174	14	206	14	238	14
15	15	47	15	79	15	111	15	143	15	175	15	207	15	239	15
16	16	48	16	80	16	112	16	145	16	176	16	208	16	240	16
17	17	49	17	81	17	113	17	145	17	177	17	209	17	241	17
18	18	50	18	82	18	114	18	146	18	178	18	210	18	242	18
19	19	51	19	83	19	115	19	147	19	179	19	211	19	243	19
20	20	52	20	84	20	116	20	148	20	180	20	212	20	244	20
21	21	53	21	85	21	117	21	149	21	181	21	213	21	245	21
22	22	54	22	86	22	118	22	150	22	182	22	214	22	246	22
23	23	55	23	87	23	119	23	151	23	183	23	215	23	247	23
24	24	56	24	88	24	120	24	152	24	184	24	216	24	248	24
25	25	57	25	89	25	121	25	153	25	185	25	217	25	249	25
26	26	58	26	90	26	122	26	154	26	186	26	218	26	250	26
27	27	59	27	91	27	123	27	155	27	187	27	219	27	251	27
28	28	60	28	92	28	124	28	156	28	188	28	220	28	252	28
29	29	61	29	93	29	125	29	157	29	189	29	221	29	253	29
30	30	62	30	94	30	126	30	158	30	190	30	222	30	254	30
31	31	63	31	95	31	127	31	159	31	191	31	223	31	255	31
32	32	64	32	96	32	128	32	160	32	192	32	224	32	256	32

ADDRESS GROUPS of 96

Group 1		Group 2		Group 3		Group 4		Group 5			
In	Out	In	Out	In	Out	In	Out	In	Out		
1	1	49	49	97	1	145	49	193	1	241	49
2	2	50	50	98	2	146	50	194	2	242	50
3	3	51	51	99	3	147	51	195	3	243	51
4	4	52	52	100	4	148	52	196	4	244	52
5	5	53	53	101	5	149	53	197	5	245	53
6	6	54	54	102	6	150	54	198	6	246	54
7	7	55	55	103	7	151	55	199	7	247	55
8	8	56	56	104	8	152	56	200	8	248	56
9	9	57	57	105	9	153	57	201	9	249	57
10	10	58	58	106	10	154	58	202	10	250	58
11	11	59	59	107	11	155	59	203	11	251	59
12	12	60	60	108	12	156	60	204	12	252	60
13	13	61	61	109	13	157	61	205	13	253	61
14	14	62	62	110	14	158	62	206	14	254	62
15	15	63	63	111	15	159	63	207	15	255	63
16	16	64	64	112	16	160	64	208	16	256	64
17	17	65	65	113	17	161	65	209	17		
18	18	66	66	114	18	162	66	210	18		
19	19	67	67	115	19	163	67	211	19		
20	20	68	68	116	20	164	68	212	20		
21	21	69	69	117	21	165	69	213	21		
22	22	70	70	118	22	166	70	214	22		
23	23	71	71	119	23	167	71	215	23		
24	24	72	72	120	24	168	72	216	24		
25	25	73	73	121	25	169	73	217	25		
26	26	74	74	122	26	170	74	218	26		
27	27	75	75	123	27	171	75	219	27		
28	28	76	76	124	28	172	76	220	28		
29	29	77	77	125	29	173	77	221	29		
30	30	78	78	126	30	174	78	222	30		
31	31	79	79	127	31	175	79	223	31		
32	32	80	80	128	32	176	80	224	32		
33	33	81	81	129	33	177	81	225	33		
34	34	82	82	130	34	178	82	226	34		
35	35	83	83	131	35	179	83	227	35		
36	36	84	84	132	36	180	84	228	36		
37	37	85	85	133	37	181	85	229	37		
38	38	86	86	134	38	182	86	230	38		
39	39	87	87	135	39	183	87	231	39		
40	40	88	88	136	40	184	88	232	40		
41	41	89	89	137	41	185	89	233	41		
42	42	90	90	138	42	186	90	234	42		
43	43	91	91	139	43	187	91	235	43		
44	44	92	92	140	44	188	92	236	44		
45	45	93	93	141	45	189	93	237	45		
46	46	94	94	142	46	190	94	238	46		
47	47	95	95	143	47	191	95	239	47		
48	48	96	96	144	48	192	96	240	48		

