



SCT-1033

CAMERA CONTROL CODE TRANSLATOR
BOSCH BIPHASE TO JAVELIN RS-232 Ver 1.11

www.sennetech.net

Sennetech, Inc. 6455 W. Bath Rd. Perry, MI 48872 U.S.A. Ph (517) 675-1150 Fax(517) 675-1151

PRODUCT DESCRIPTION

The SCT-1033 is a Javelin to Bosch control code translator designed to permit control of Bosch cameras from Javelin controllers. It receives Javelin RS-232 commands and transmits the appropriate commands in Bosch biphasic format. There are four independent biphasic outputs.

The biphasic output can be limited to fixed speed only commands for compatibility with older Burle receivers.

A programming mode is used to send camera setup commands

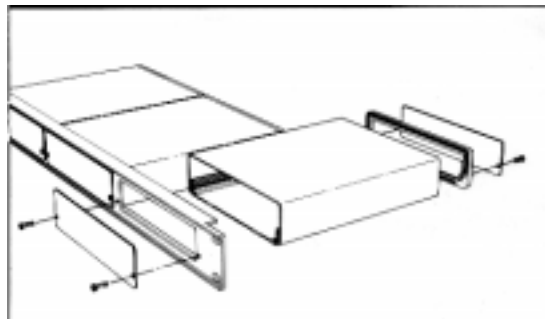
Input and output connections are made with mating screw terminal connectors. Front panel indicate display status of power, receive, transmit, and program mode.

There is an optional 19" rack mount panel (one rack unit high).

SPECIFICATIONS

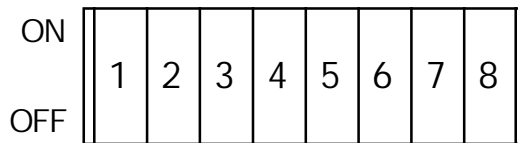
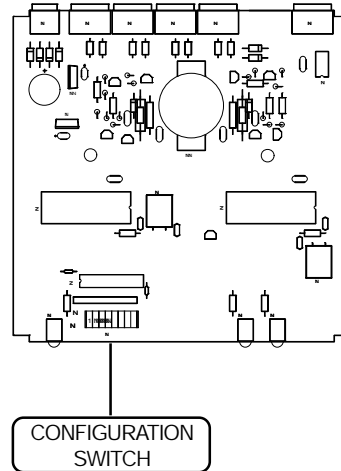
SIZE:	5.57"W x 1.52H x 5.45D
WEIGHT:	1.5 lb
POWER:	12Volt to 15Volt AC or DC at 75ma
INDICATORS:	Front panel LEDs: Power, Rx, Tx, & Pgm
JAVELIN RS-232 INPUT:	(1) mating 3-pin screw terminal connector
BIPHASE OUTPUT:	(4) mating 3-pin Screw terminal connectors

To install the case on the rack mount frame, remove the front panel and the plastic bezel. The rack mount frame takes the place of the bezel as shown below.



SETTING THE SWITCHES

To set the configuration switches, remove the back panel which is secured by two screws. Then slide the cover back to expose the switches.

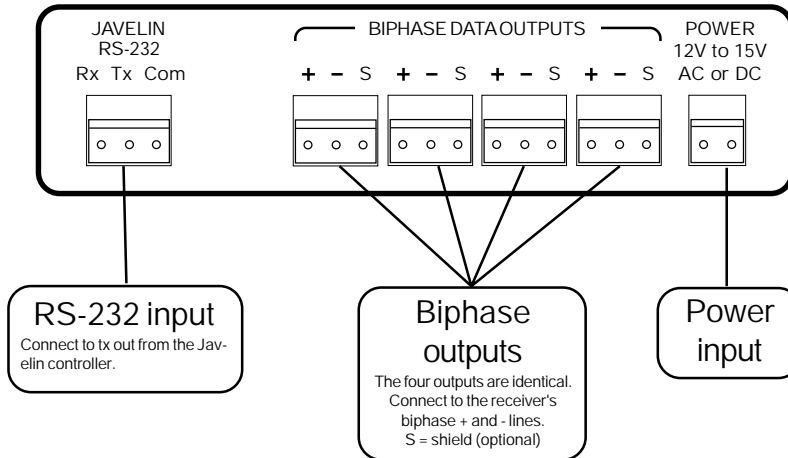


SW1-1
BIPHASE CODE TYPE
ON: VARIABLE SPEED
OFF: FIXED SPEED

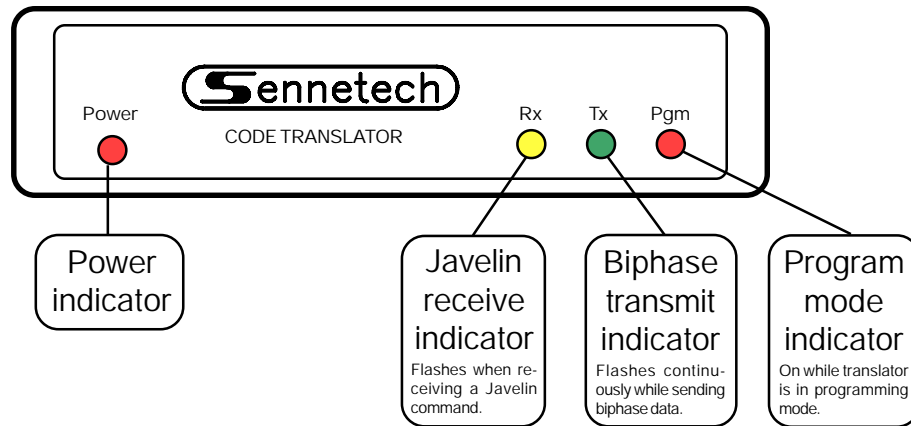
Set to "ON" if the receivers can accept variable speed biphasic code.
Set to "OFF" for older receivers that only recognize fixed speed commands.

INSTALLATION

REAR PANEL



FRONT PANEL



The Rx indicator will flash whenever there is data from the Javelin controller. If the input lines have reversed polarity, the Rx indicator will be on solidly. Biphase code is repeating so the Tx indicator will continue to flash while the camera is moving.

If the code translator is sending data and doesn't get a follow up Javelin command in about 12 seconds, it will time out and quit sending that stream of data.

OPERATION

Pan, Tilt, Zoom, Focus, and Iris commands are converted directly. Javelin pre-positions are converted to Bosch "Set and "Shot" commands.

The F1 and F2 keys will activate autopan and pre-position tour.

Javelin Key	Action
F1	Activate autopan
F2	Activate pre-position tour

PAN / TILT SPEEDS

Javelin doesn't send pan or tilt speed data. If configured for variable speed, the code translator will send pan and tilt speed data. On power-up, the default speed is a medium speed. The speed can be changed by using the "F" keys according to the following table.

Javelin Key	Action
F3	Decrease tilt speed
F4	Increase tilt speed
F5	Decrease pan speed
F6	Increase pan speed

CAMERA SETUP COMMANDS

Sending "Store PP# 15" will activate the programming mode. While in programming mode (Pgm indicator is illuminated), the "F" keys are used to send setup commands.

To send a particular setup command, the proper sequence of "F" keys must be pressed. Only one key should be pressed at a time, each key must be released before the next key is pressed. Any nonvalid sequence will cancel programming mode, as will any camera movement command.

The setup command key sequences are grouped by type. All the lens setup commands start with the F1 key, camera video adjustments start with the F2 key, and so forth.

F1 - LENS

F1 - IRIS

- F1 - MANUAL IRIS
- F2 - AUTO IRIS
- F3 - ADJUST AUTO IRIS LEVEL
 - F1 - DEC AUTO IRIS LEVEL
 - F2 - INC AUTO IRIS LEVEL
- F4 - ALC
 - F1 - ALC AVERAGE
 - F2 - ALC PEAK
- F5 - AUTO IRIS ACTIVATION ON MOVEMENT
 - F1 - DISABLE AUTO IRIS ACTIVATION ON MOVEMENT
 - F2 - ENABLE AUTO IRIS ACTIVATION ON MOVEMENT

F2 - FOCUS

- F1 - MANUAL FOCUS
- F2 - AUTO FOCUS
- F3 - DISABLE AUTO FOCUS ACTIVATION ON MOVEMENT
- F4 - ENABLE AUTO FOCUS ACTIVATION ON MOVEMENT
- F5 - SPOT FOCUS OFF
- F6 - SPOT FOCUS ON

F3 - ZOOM RATIO

- F1 - ZOOM RATIO FULL
- F2 - ZOOM RATIO LIMITED

F4 - SHUTTER

- F1 - SHUTTER OFF
- F2 - SHUTTER ON
- F3 - DEC SHUTTER ADJUSTMENT
- F4 - INC SHUTTER ADJUSTMENT
- F5 - AUTO SHUTTER OFF
- F6 - AUTO SHUTTER ON

F2 - CAMERA VIDEO ADJUST

- F1 - AGC
 - F1 - AGC OFF
 - F2 - AGC ON
- F2 - WHITE BALANCE
 - F1 - MANUAL WB
 - F2 - AUTO WB
 - F3 - FIXED WB INDOOR
 - F4 - FIXED WB OUTDOOR
- F3 - BACKLIGHT COMPENSATION
 - F1 - BACKLIGHT COMP OFF
 - F2 - BACKLIGHT COMP ON
- F4 - HIGHLIGHT
 - F1 - HIGHLIGHT OFF
 - F2 - HIGHLIGHT ON
- F5 - COLOR GAIN
 - F1 - DEC RED
 - F2 - INC RED
 - F3 - DEC BLUE
 - F4 - INC BLUE
- F6 - HUE
 - F1 - DEC R-Y
 - F2 - INC R-Y
 - F3 - DEC B-Y
 - F4 - INC B-Y

F3 - SCAN / TOUR

- F1 - AUTOPAN SPEED
 - F1 - DEC SPEED
 - F2 - INC SPEED
- F2 - AUTOPAN LIMITS
 - F1 - SHOW LEFT LIMIT
 - F2 - SHOW RIGHT LIMIT
 - F3 - SET LEFT LIMIT
 - F4 - SET RIGHT LIMIT
- F3 - TOUR PERIOD
 - F1 - DEC TOUR PERIOD
 - F2 - INC TOUR PERIOD
- F4 - AUTO RETURN HOME AFTER INACTIVITY
 - F1 - DISABLE
 - F2 - ENABLE
- F5 - PAN AUTOSPEED
 - F1 - OFF
 - F2 - ON
- F6 - AUTO PIVOT
 - F1 - OFF
 - F2 - ON

F4 - RECORDING

- F1 - STOP RECORD
- F2 - START RECORD
- F3 - RESUME RECORD
- F4 - START SINGLE PLAYBACK
- F5 - START CONTINUOUS PLAYBACK
- F6 - RESUME PLAYBACK

F5 - SYSTEM

- F1 - SYNC MODE
 - F1 - CRYSTAL
 - F2 - LINE LOCK
- F2 - LINE LOCK PHASE ADJ
 - F1 - DEC PHASE
 - F2 - INC PHASE
- F3 - COMMAND LOCK
 - F1 - LOCK COMMANDS
 - F2 - UNLOCK COMMANDS
- F3 - FAST ADDRESS
 - F1 - DISPLAY
 - F2 - SET MENU
- F5 - FIRMWARE INFO
 - F1 - DISPLAY
- F6 - FACTORY DEFAULTS
 - F1 - SET DEFAULTS

F6 - ON SCREEN DISPLAY

- F1 - OSD DISPLAY
 - F1 - OFF
 - F2 - ON
- F2 - OSD ADJUST
 - F1 - MENU
 - F2 - ON
- F3 - PP TITLES
 - F1 - MENU
 - F2 - ON
- F4 - ZONE TITLES
 - F1 - MENU
 - F2 - ON

