



SCT-1032

CAMERA CONTROL CODE TRANSLATOR  
BOSCH BIPHASE TO JAVELIN RS-232 Ver 2.0

[www.sennetech.net](http://www.sennetech.net)

Sennetech, Inc. 6455 W. Bath Rd. Perry, MI 48872 U.S.A. Ph (517) 675-1150 Fax(517) 675-1151

SCT-1032 Ver 2.0



## PRODUCT DESCRIPTION

The LTC 8782/xx-11 is a Bosch to Javelin control code translator designed to permit control of Javelin cameras from Bosch Allegiant controllers. It receives Allegiant biphasic commands and transmits the appropriate commands in Javelin RS-232 format (9600 baud N81). There are four independent Javelin outputs.

The unit can be configured to send Javelin output code compatible with either JO208 ACUs or JO308 ACUs. Pan and Tilt commands can be reversed for compatibility with different system wiring.

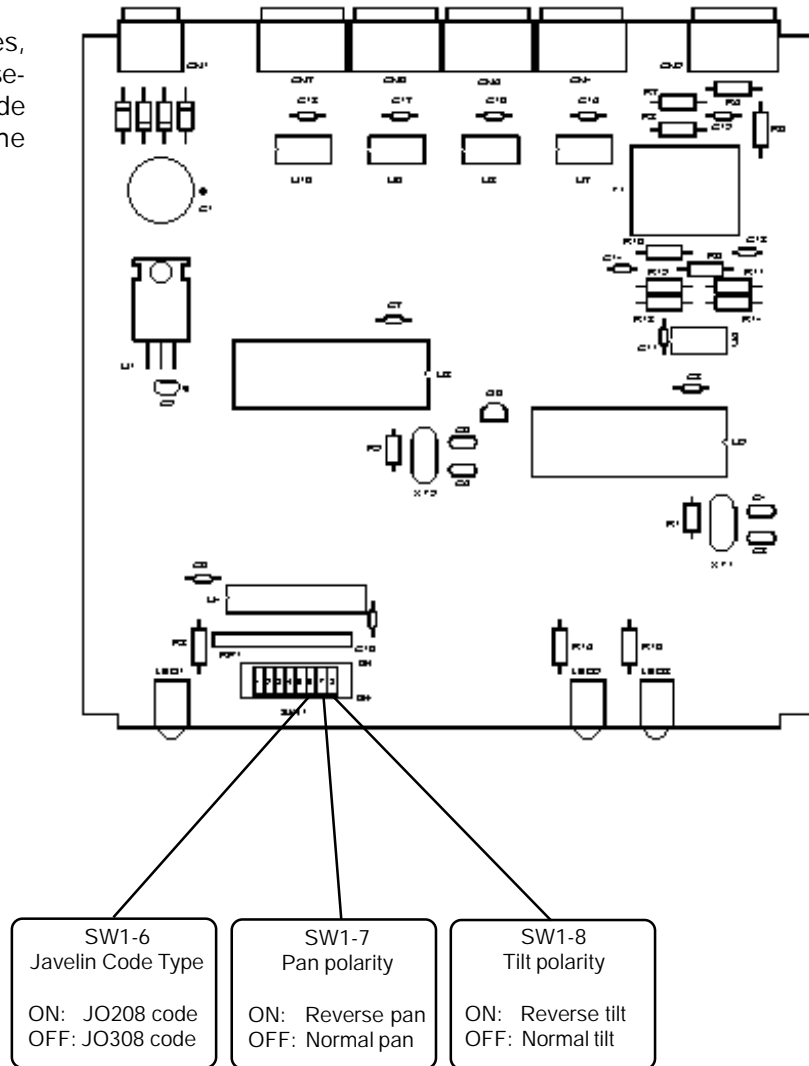
Input and output connections are made with mating screw terminal connectors. Front panel indicates display status of power, receive, and transmit.

## SPECIFICATIONS

SIZE:	19"W x 1.75H x 5.45D
WEIGHT:	1.5 lb
POWER:	9Volt to 15Volt AC or DC at 75ma
INDICATORS:	Front panel LEDs: Power, Rx, & Tx,
BIPHASE INPUT:	(1) mating 3-pin screw terminal
JAVELIN RS-232 OUTPUTS:	(4) mating 3-pin screw terminal

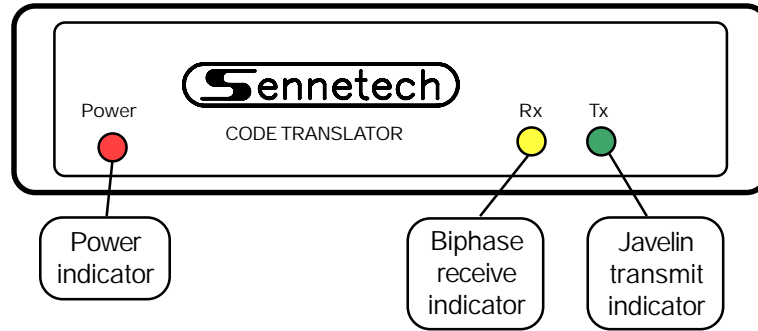
## SETTING THE SWITCHES

To set the configuration switches, remove the back panel which is secured by two screws. Then slide the cover back to expose the switches.

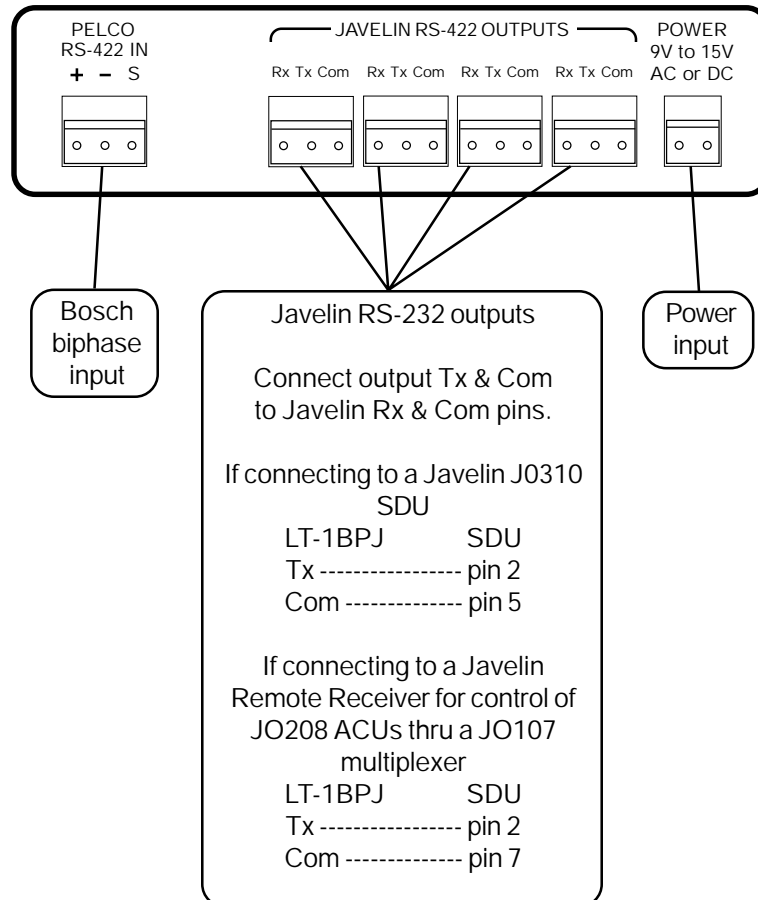


# INSTALLATION

## FRONT PANEL



## REAR PANEL



## OPERATION

Pan, Tilt, Zoom, Focus, and Iris commands are converted directly. Additional functions use the following table.

BOSCH COMMAND	JAVELIN COMMAND
SET (1 to 15) ENTER	STORE PRE-POSITION (1 to 15)
SHOT (1 to 15) ENTER	RECALL PRE-POSITION (1 to 15)

Bosch "set 101 to 108" commands are used to set the Javelin camera movement limits

SET 101 ENTER	SET RIGHT LIMIT
SET 102 ENTER	CLEAR RIGHT LIMIT
SET 103 ENTER	SET DOWN LIMIT
SET 104 ENTER	CLEAR DOWN LIMIT
SET 105 ENTER	SET LEFT LIMIT
SET 106 ENTER	CLEAR LEFT LIMIT
SET 107 ENTER	SET UP LIMIT
SET 108 ENTER	CLEAR UP LIMIT

There are six Javelin "F" keys that can be used to control relays. Bosch "Aux On" commands are converted to the "F" key commands. Aux On numbers 1 to 63 are used for all possible "F" key combinations. Single "F" keys are converted as follows.

ON 1 ENTER	F1 KEY
ON 2 ENTER	F2 KEY
ON 4 ENTER	F3 KEY
ON 8 ENTER	F4 KEY
ON 16 ENTER	F5 KEY
ON 32 ENTER	F6 KEY

For "F" key combinations, refer the the chart on the next page.

# "F" KEY COMBINATION CHART

ON#	F1	F2	F3	F4	F5	F6
01	█					
02		█				
03	█	█				
04			█			
05	█		█			
06		█	█			
07	█	█	█			
08				█		
09	█			█		
10		█		█		
11	█	█		█		
12			█	█		
13	█		█	█		
14		█	█	█		
15	█	█	█	█		
16					█	
17	█				█	
18		█			█	
19	█	█			█	
20			█		█	
21	█		█		█	
22		█	█		█	
23	█	█	█		█	
24				█	█	
25	█			█	█	
26		█		█	█	
27	█	█		█	█	
28			█	█	█	
29	█		█	█	█	
30		█	█	█	█	
31	█	█	█	█	█	
32						█
33	█					█
34		█				█
35	█	█				█
36			█			█
37	█		█			█
38		█	█			█
39	█	█	█			█
40				█		█
41	█			█		█
42		█		█		█
43	█	█	█	█	█	█
44			█	█		█
45	█		█	█		█
46		█	█	█		█
47	█	█	█	█	█	█
48				█		█
49	█				█	█
50		█		█		█
51	█	█				█
52			█			█
53	█		█			█
54		█	█			█
55	█	█	█	█	█	█
56				█		█
57	█			█		█
58		█		█		█
59	█	█	█	█	█	█
60			█	█		█
61	█		█	█		█
62		█	█	█		█
63	█	█	█	█	█	█

