



SCT-1026

CAMERA CONTROL CODE TRANSLATOR
PELCO RS-422 to KALATEL RS-422 Ver 2.4

www.sennetech.net

Sennetech, Inc. 6455 W. Bath Rd. Perry, MI 48872 U.S.A. Ph (517) 675-1150 Fax(517) 675-1151

PRODUCT DESCRIPTION

The SCT-1026 is a Pelco to Kalatel control code translator designed to permit control of Kalatel cameras from Pelco controllers. It receives Pelco RS-422 commands and re-transmits them as Kalatel RS-422 commands. There are four independent Kalatel outputs.

Internal switches are used to configure the operation of the code translator. It will work with Pelco "P" or "D" code. The Kalatel output can be Digiplex II or Digiplex III at high or low baud rates.

The Kalatel address can be offset by 1 from the Pelco address so Kalatel camera 0 can be used.

Input and output connections are made with mating screw terminal connectors. Front panel indicators show status of power, receive, and transmit.

There is an optional 19" rack mount panel (one rack unit high).

SPECIFICATIONS

SIZE:	5.57"W x 1.52H x 5.45D
WEIGHT:	1.5 lb
POWER:	9Volt to 15Volt AC or DC at 75ma
INDICATORS:	Front panel LEDs: Power, Rx, & Tx,
PELCO RS-422 INPUT:	(1) mating 3-pin screw terminal connector
KALATEL RS-422 OUTPUTS:	(4) mating 3-pin Screw terminal connector

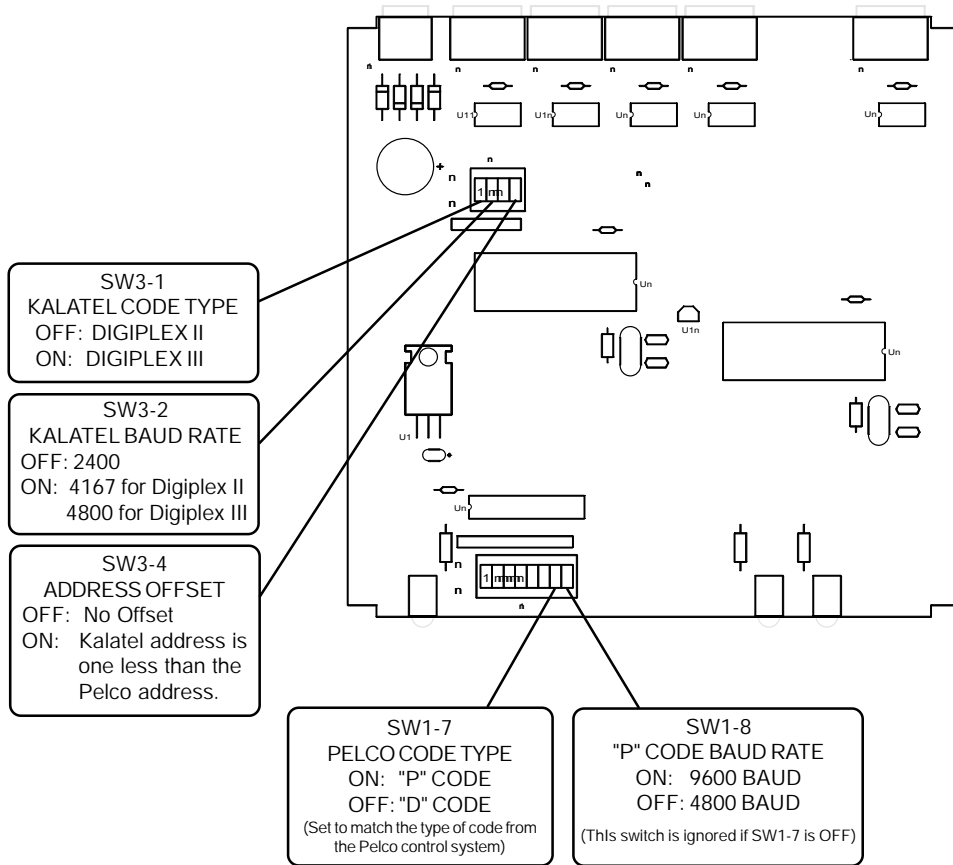
SETTING THE SWITCHES

To set the configuration switches, remove the back panel which is secured by two screws. Then slide the cover back to expose the switches. Set the selected switch to either ON or OFF.

The switches can be changed with power supplied to the translator, and the settings take effect immediately.

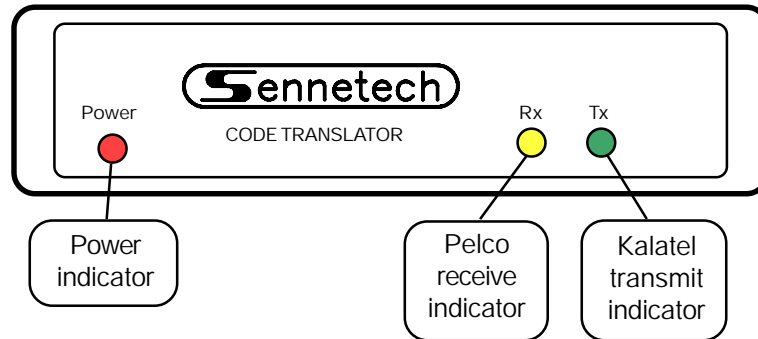
Switch 1 sets the Pelco parameters.

Switch 3 sets the Kalatel parameters.

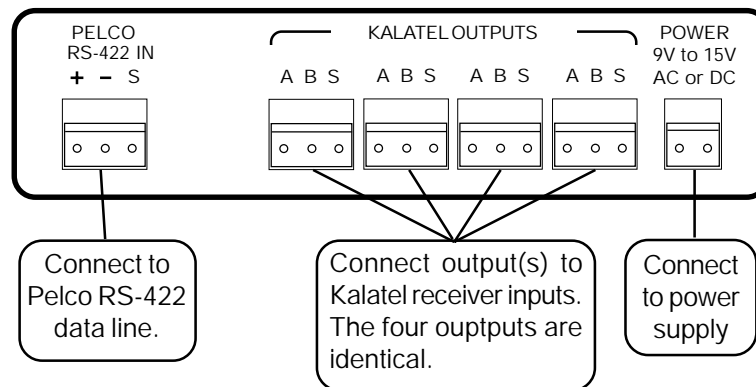


INSTALLATION

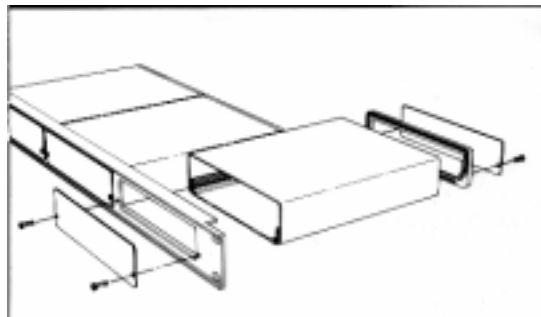
FRONT PANEL



BACK PANEL



To install the case on the rack mount frame, remove the front panel and the plastic bezel. The rack mount frame takes the place of the bezel as shown below.



OPERATION

Pan, tilt, zoom, focus, Iris commands, and Presets 1-64 are converted directly.

Pelco Aux commands and Presets 80 to 90 are converted to additional Kalatel commands. These commands have different names on various Kalatel controllers.

Pelco command	Kalatel KTD301	Kalatel KTD304	Kalatel KTD304R
Run Pattern	Auto	Auto	Auto
Aux1 On/Off	Aux 1 or Off		
Aux2 On/Off	Aux 2 or On		
Aux3 On/Off	Open		
Aux4 On/Off	Close		
Aux5 On/Off	Slow	Stop	
Aux6 On/Off	Fast		
Aux7 On/Off	Auto	Auto	Auto
Aux8 On/Off		Auto Focus	
Recall Preset 80			Mode
Recall Preset 81			Card
Recall Preset 82			Unlock
Recall Preset 83			Lock
Recall Preset 84			Open 2
Recall Preset 85			Open 1
Recall Preset 86			Face
Recall Preset 87			Badge
Recall Preset 88			Over
Recall Preset 89			Door 2
Recall Preset 90			Door 1

