

**Sennetech**

SCT-1018

CAMERA CONTROL CODE TRANSLATOR  
PELCO RS-422 to AD MANCHESTER Ver 1.4

[www.sennetech.net](http://www.sennetech.net)

Sennetech, Inc. 6455 W. Bath Rd. Perry, MI 48872 U.S.A. Ph (517) 675-1150 Fax(517) 675-1151

SCT-1018 Ver 1.4

## PRODUCT DESCRIPTION

The SCT-1018 is a Pelco to American Dynamics control code translator designed to permit control of AD cameras from Pelco controllers. It receives Pelco RS-422 commands at 4800 baud and transmits the appropriate commands in AD manchester format. Camera addresses up to 64 are converted. There are four independent AD outputs.

Internal switches set the configuration for Pelco code type and baud rate. The manchester output can be limited to fixed speed commands for compatibility with older AD receivers.

Input and output connections are made with mating screw terminal connectors. Front panel LEDs indicate status of power, receive, and transmit.

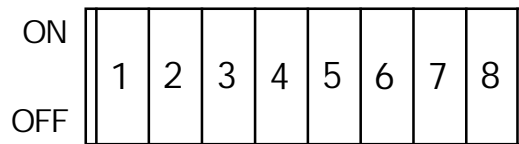
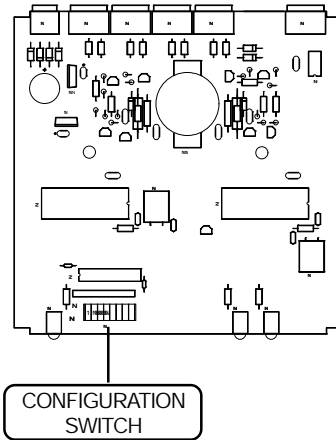
There is an optional 19" rack mount panel (one rack unit high).

## SPECIFICATIONS

SIZE:	5.57"W x 1.52H x 5.45D
WEIGHT:	1.5 lb
POWER:	12Volt to 15Volt AC or DC at 75ma
INDICATORS:	Front panel LEDs: Power, Rx, & Tx,
PELCO RS-422 INPUT:	(1) mating 3-pin screw terminal connector
AD MANCHESTER OUTPUT:	4) mating 3-pin Screw terminal connectors

## SETTING THE SWITCHES

To set the configuration switches, remove the back panel which is secured by two screws. Then slide the cover back to expose the switches. The switches can be changed with power applied and the changes take effect immediately.



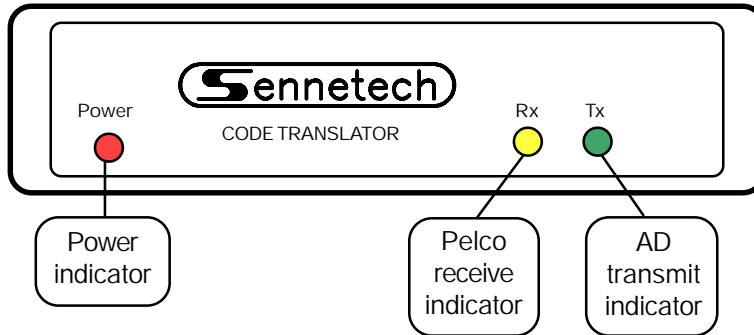
**SW1-5**  
**PELCO CODE TYPE**  
 ON: "P" CODE  
 OFF: "D" CODE  
 Set to match the type of code from the Pelco control system.  
 When setting up Pelco com ports to work with a code translator, configure the port the same as it would be for a Pelco dome.

**SW1-8**  
**AD CODE TYPE**  
 ON: Variable speed  
 OFF: Fixed speed  
 Set to "ON" for variable speed receivers.  
 Set to "OFF" if fixed speed receivers respond incorrectly to pan or tilt commands.

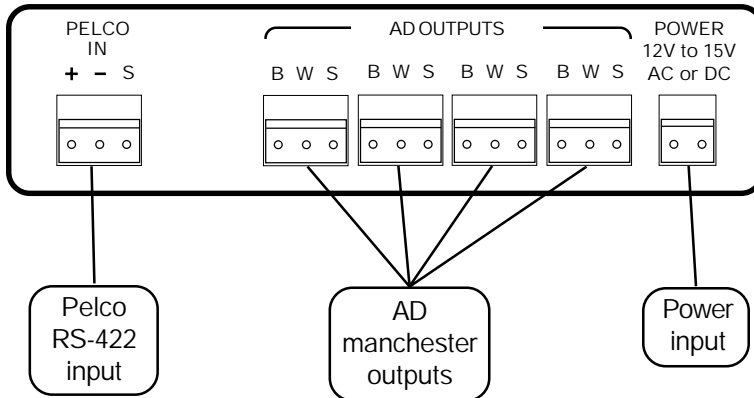
**SW1-6**  
**"P" CODE BAUD RATE**  
 ON: 9600 BAUD  
 OFF: 4800 BAUD  
 This switch is ignored if SW1-5 is OFF for "D" code

## INSTALLATION

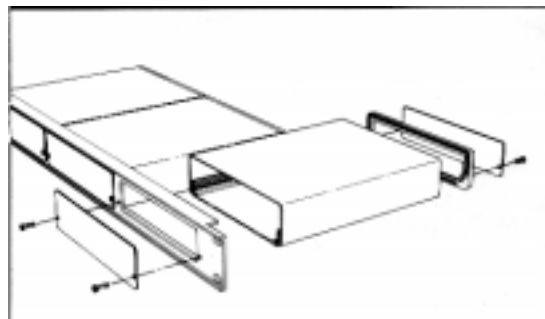
### FRONT PANEL



### REAR PANEL



To install the case on the rack mount frame, remove the front panel and the plastic bezel. The rack mount frame takes the place of the bezel as shown below.



## OPERATION

Operation of the SCT-1018 is transparent to the user. The Pelco camera control commands are converted to American Dynamics commands according to the following table.

PELCO COMMAND	AD COMMAND
PAN LEFT/RIGHT	PAN LEFT/RIGHT
TILT UP/DOWN	TILT UP/DOWN
ZOOM OUT/IN	ZOOM OUT/IN
FOCUS FAR/NEAR	FOCUS FAR/NEAR
IRIS CLOSE/OPEN	IRIS CLOSE/OPEN
AUX 1 ON	AUX 1 ON
AUX 2 ON	AUX 2 ON
AUX 3 ON	AUX 3 ON
AUX 1 OFF	AUX 1 OFF
AUX 2 OFF	AUX 2 OFF
AUX 3 OFF	AUX 3 OFF
GO TO PRESET	SHOT 1 to 72
SET PRESET	SET 1 to 72

