

Sennetech

SCT-1014

**CAMERA CONTROL CODE TRANSLATOR
AD MANCHESTER to VICON RS-422 Ver. 1.6**

www.sennetech.net

Sennetech, Inc. 6455 W. Bath Rd. Perry, MI 48872 U.S.A. Ph (517) 675-1150 Fax (517) 675-1151

PRODUCT DESCRIPTION

The SCT-1014 is an American Dynamics to Vicon control code translator designed to permit control of Vicon VPS series cameras from AD controllers. It receives AD manchester commands and transmits the appropriate commands in Vicon RS-422 format. There are four independent Vicon outputs.

The SCT-1014 can be configured by setting the internal switches to work with either fixed speed or variable speed AD controllers. Tilt sensing can also be reversed for compatibility with AD systems using reverse tilt. The Vicon output can be set to 600, 4800, or 9600 baud.

The 64 AD camera addresses can be converted to one of four address blocks so that addresses up to 255 in Vicon receivers can match the camera number in the controller.

Input and output connections are made with mating screw terminal connectors. Front panel LEDs indicate status of power, receive, and transmit.

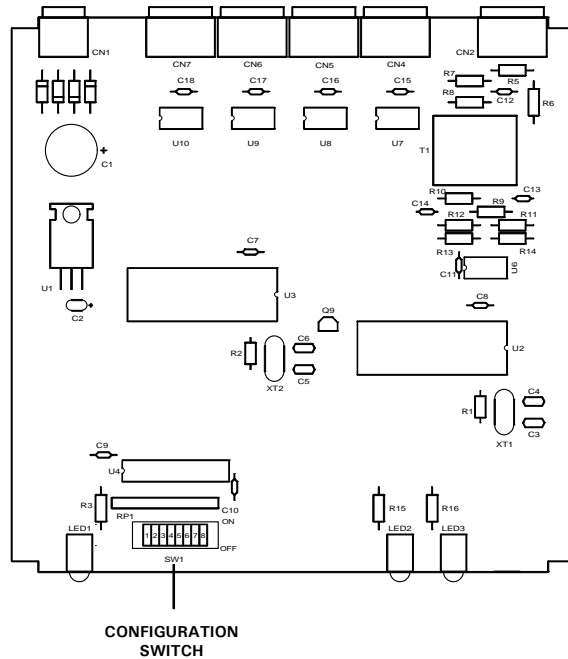
An optional 19" rack mount panel (one rack unit high) is available.

SPECIFICATIONS

SIZE:	5.57"W x 1.52H x 5.45D
WEIGHT:	1.5 lbs.
POWER:	9Volt to 15Volt AC or DC at 75ma
INDICATORS:	Front panel LEDs: Power, Rx, & Tx
AD MANCHESTER INPUT:	(1) mating 3-pin screw terminal connector
VICON RS-422 OUTPUT:	(4) mating 3-pin screw terminal connectors

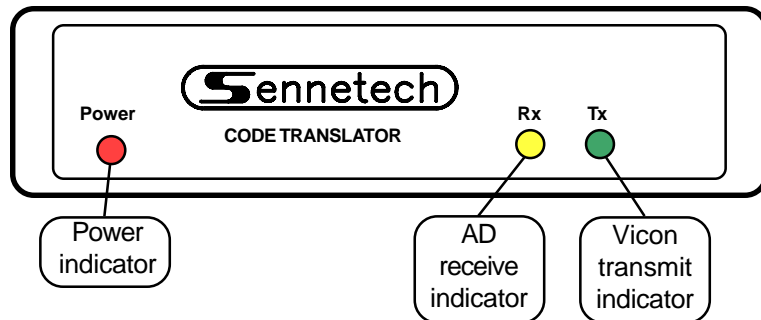
SETTING THE SWITCHES

To set the configuration switches, remove the back panel, which is secured by two screws. Then slide the cover back to expose the switches. The switches can be changed while the code translator is powered up and the new settings will take effect immediately.

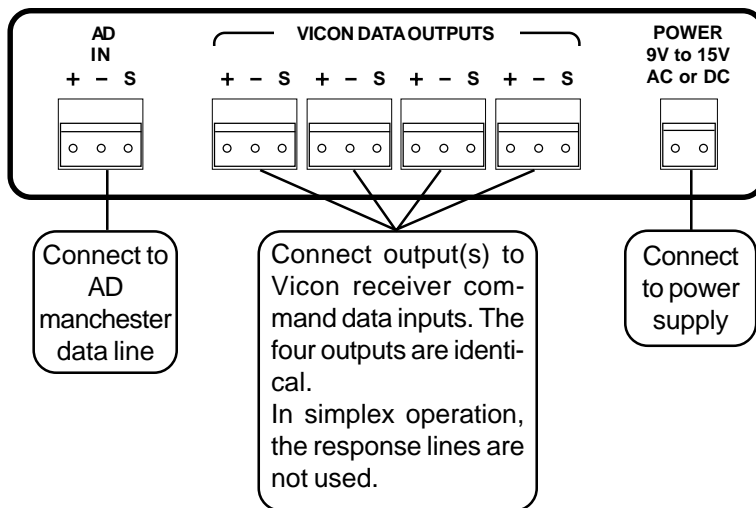


<u>SWITCH TABLE</u>						
<u>SWITCH</u>	<u>OFF</u>			<u>ON</u>		
1	Fixed speed AD controller			Variable speed AD controller		
2	Normal tilt sensing			Reversed tilt sensing		
3	Aux speed data bits off			Aux speed data bits on		
4	Not used					
Switches 5 & 6 select Vicon output baud rate. If SW5 is ON, the baud rate is 600. If SW5 is OFF, SW6 sets either 4800 baud or 9600 baud.						
5	Use SW6 to set baud rate			Vicon output is 600 baud		
6	4800 baud			9600 baud		
<u>SWITCHES</u>		<u>BLOCK #</u>	<u>VICON ADDRESSES</u>			
7	8					
OFF	OFF	BLOCK 1	001	TO	064	
ON	OFF	BLOCK 2	065	TO	128	
OFF	ON	BLOCK 3	129	TO	192	
ON	ON	BLOCK 4	193	TO	255	

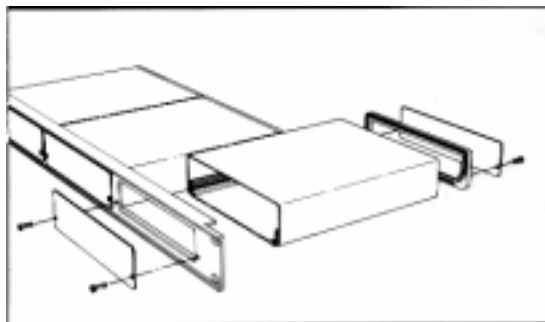
FRONT PANEL



BACK PANEL



To install the case on the rack mount frame, remove the front panel and the plastic bezel. The rack mount frame takes the place of the bezel as shown below.



OPERATION

The AD camera control commands will be converted to Vicon commands according to the following table.

<u>AD COMMAND</u>	<u>VICON COMMAND</u>
PAN LEFT/RIGHT	PAN LEFT/RIGHT
TILT UP/DOWN	TILT UP/DOWN
ZOOM OUT/IN	ZOOM OUT/IN
FOCUS FAR/NEAR	FOCUS FAR/NEAR
IRIS CLOSE/OPEN	IRIS CLOSE/OPEN
[1] [ON]	AUX 1
[2] [ON]	AUX 2
[3] [ON]	LENS SPEED
[1] [OFF]	AUTO PAN
[2] [OFF]	AUTO IRIS
[3] [OFF]	ALARMACKNOWLEDGE
[1] [SHOT] to [49] [SHOT]	RUN PP1 to PP49
[1] [SET] to [49] [SET]	PGM PP1 to PP49

NOTE: [Shot] and [Set] commands 50 and up are converted to Vicon pre-positions 80 and up for programming the variable speed models of the Surveyor™ Mini Dome System. Add 30 to calculate the pre-position number that the convertor will send.

[50] [SHOT] to [69] [SHOT]	RUN PP80 to PP99
[50] [SET] to [69] [SET]	PGM PP80 to PP99

