



## **SCT-1010**

**CAMERA CONTROL CODE TRANSLATOR  
SENSORMATIC RS-422 to BOSCH BIPHASE Ver 2.0**

[www.sennetech.net](http://www.sennetech.net)

**Sennetech, Inc. 6455 W. Bath Rd. Perry, MI 48872 U.S.A. Ph (517) 675-1150 Fax(517) 675-1151**



## PRODUCT DESCRIPTION

The SCT-1010 is a Sensormatic to biphase control code translator designed to permit control of Bosch cameras from Sensormatic RS-422 controllers. It receives Sensormatic RS-422 commands and converts them to appropriate Bosch biphase commands. There are four independent Sensormatic outputs.

The code translator will appear to the Sensormatic controller as a group of responding domes. Internal switches set the low camera number and the high camera number to which it will respond.

Input and output connections are made with mating screw terminal connectors. Front panel LEDs indicate status of power, receive, and transmit.

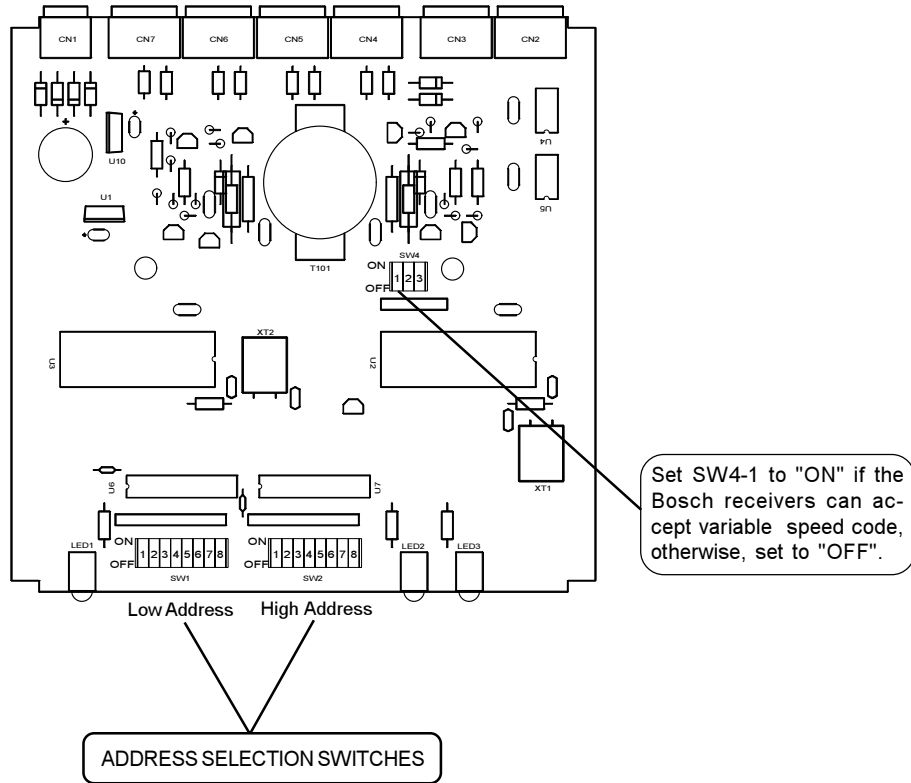
There is an optional 19" rack mount panel (one rack unit high).

## SPECIFICATIONS

Size:	5.57"W x 1.52H x 5.45D
Weight:	1.5 lb
Power:	9Volt to 15Volt AC or DC at 75ma
Indicators:	Front panel LEDs: Power, Rx, & Tx,
Sensormatic Data In	(1) mating 3-pin screw terminal connector
Sensormatic Response Out:	(1) mating 3-pin screw terminal connector
Biphase Outputs:	(4) mating 3-pin Screw terminal connectors

## SETTING THE SWITCHES

To set the configuration switches, remove the back panel which is secured by two screws. Then slide the cover back to expose the switches. The switches can be changed with power on and the changes take effect immediately.



The address switches have the following values read from left to right.

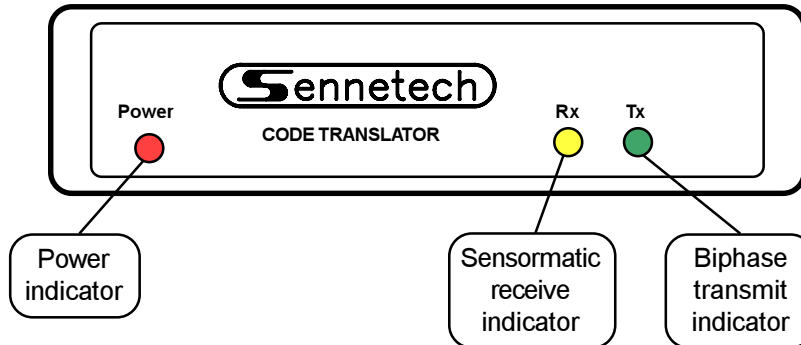
1	2	4	8	16	32	64	128
---	---	---	---	----	----	----	-----

The camera numbers are entered by setting to "ON" the switches whose value total up to the desired number. For example, to enter the number 141, you would set to "ON" switches that have values  $128 + 8 + 4 + 1 = 141$ . The Camera Address Switch Setting Chart shows the settings for numbers 0 to 255.

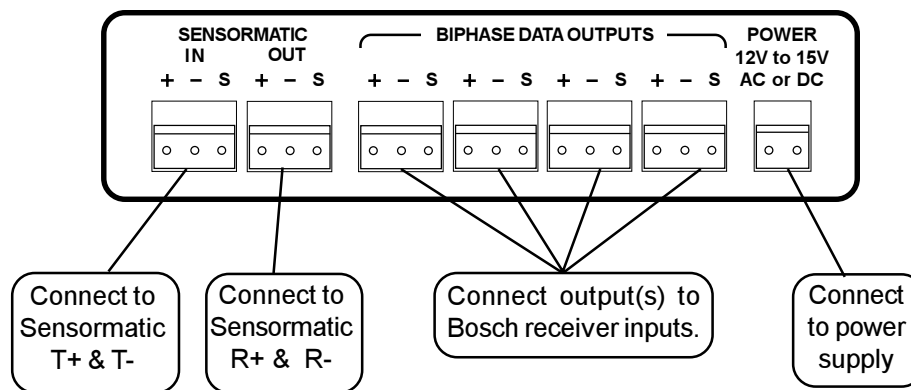


## INSTALLATION

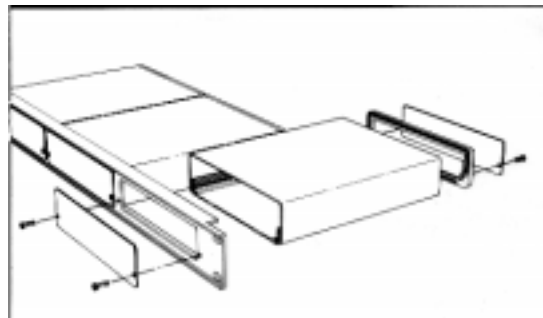
### FRONT PANEL



### REAR PANEL



To install the case on the rack mount frame, remove the front panel and the plastic bezel. The rack mount frame takes the place of the bezel as shown below.



## OPERATION

Sensormatic pan, tilt, zoom, focus, and iris commands are converted to the equivalent Bosch commands.

Other commands are converted according to the following table:

<u>SENSORMATIC COMMAND</u>	<u>BOSCH COMMAND</u>
Define Quickview 1	Store Preset 1
Define Quickview 2	Store Preset 2
Define Quickview 3	Store Preset 3
Define Quickview 4	Store Preset 4
Quickview 1	Call Preset 1
Quickview 2	Call Preset 2
Quickview 3	Call Preset 3
Quickview 4	Call Preset 4
Define Pattern 1	Start recording
End Pattern	End recording
Run Pattern 1	Playback recording
Peel or Run Pattern 3	Auto-Pan

